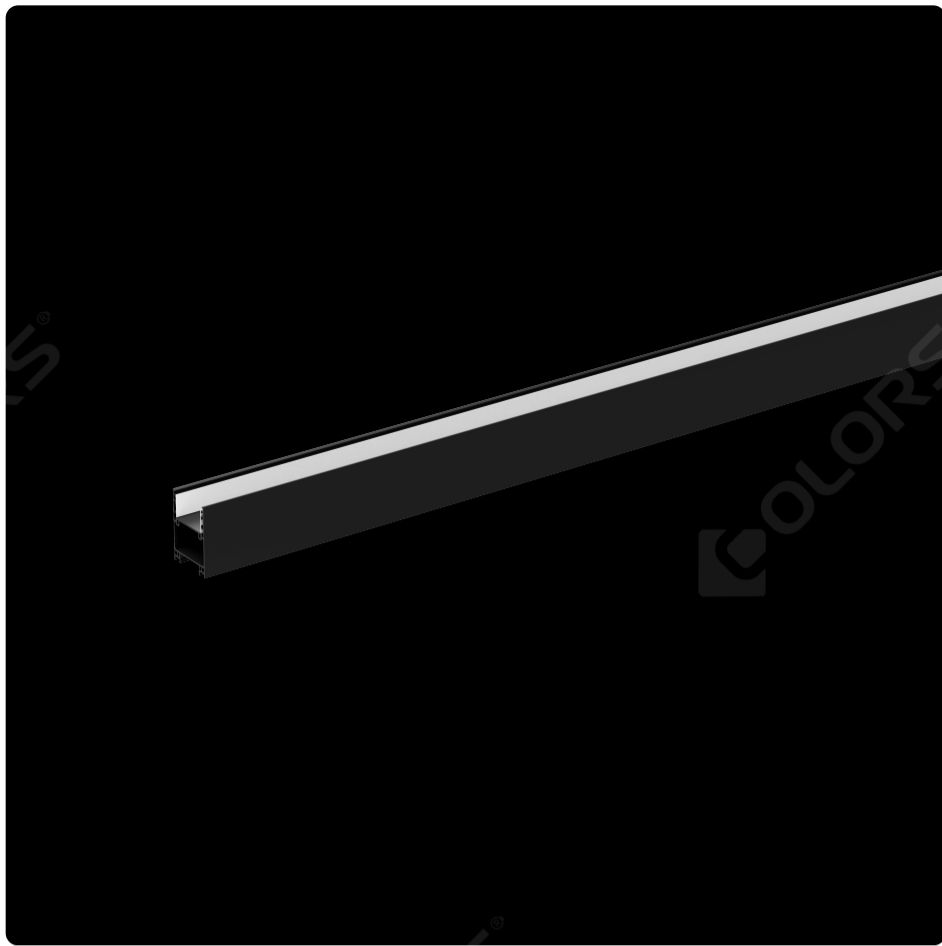


Pendant&Surface CS5070

CS5070





CS5070

Basic Parameters

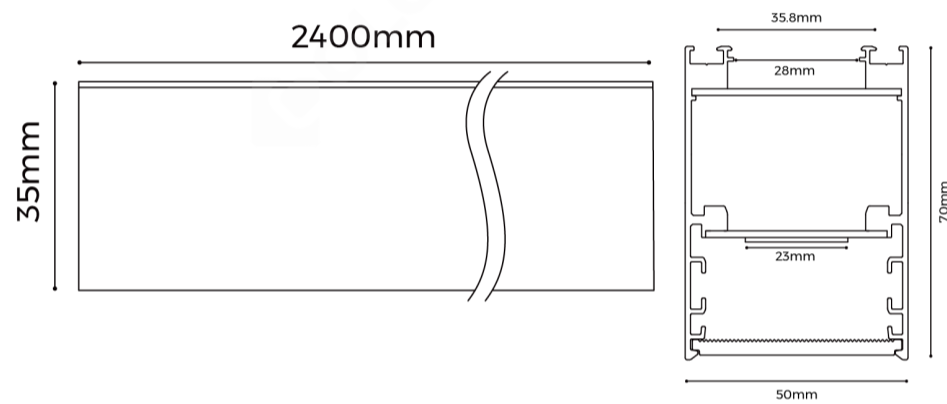
Application	Indoor
Material	AL6063-T5,spraying surface
IP Grade	IP20
Warranty	5 years

Electrical Parameters

Optical Parameters

SDCM	≤3 Step(ANSI)
Length	2400mm
Luminous Efficacy	90LM/W

Dimensions

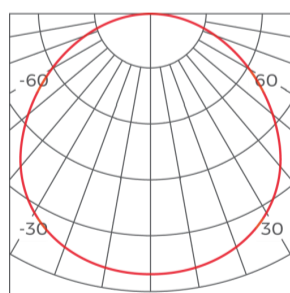


Luminaire Parameters

Version	Size(mm)	Power(W)	PCB Current(A)	CRI	CCT	Lumens(LM) @White,Sliver	Lumens(LM) @Black
Regular	1000mm	24	1	>80	4000K	2160	1836
Regular	1000mm	24	1	>90	4000K	1858	1579

Light Distribution

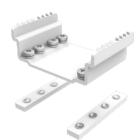
Regular-110°



h(m)	D(cm)	E(lx)
1	287	727
2	575	182
3	863	80
4	1151	45

Common Accessories

Splicing accessory



EX-E19

Applicable product model: CS5070
Material process:SPCC/ Electrophoresis
Size: L46.8*W30*H15.7mm
Quantity: 1 PCS/SET
Other:Includes mounting screws.

Dedicated light source



DM51202423

Applicable product model: CS5035/CS5070/CE5035(stick a single strip)
 CS7035/CS7070/CE7035(paste two strips placed parallel to each other)
 Size: 4000*23*1.5mm/5000*23*1.5mm
 Cutting Unit:50mm
 Input Voltage:DC24V
 Typ.Power:14.4W/M(5M/roll); 24W/M(4M/roll)
 Typ.luminous flux:
 800LM/M@RGBNW(5M/roll)
 1320LM/M@RGBNW(4M/roll)
 CCT:RGB(DMX)+2700/RGB(DMX)+3000/RGB(DMX)+4000/RGB(DMX)+6000K
 CRI: RA80 @ white light
 Other:20# wire diameter,outer diameter 5.5mm, PVC material;5PIN red/black/green/blue/white wire



DS81602423

Applicable product model: CS5035/CS5070/CE5035(stick a single strip)
 CS7035/CS7070/CE7035(paste two strips placed parallel to each other)
 Size: 4000*23*1.5mm/5000*23*1.5mm
 Cutting Unit:50mm
 Input Voltage:DC24V
 Typ.Power:14.4W/M(5M/roll); 24W/M(4M/roll)
 Typ.luminous flux:
 2300LM/M@RA80,4000k(5M/roll)
 3600LM/M@RA80,4000k(4M/roll)
 CCT: 2700/3000/3500/4000/5000/6500K
 CRI: 80/90
 Other:18# wire diameter,PVC material, 2PIN red-black wire



DS83202423

Applicable product model:CS5035/CS5070/CE5035(stick a single strip)
 CS7035/CS7070/CE7035(paste two strips placed parallel to each other)
 Size: 3000*23*1.5mm/4000*23*1.5mm
 Cutting Unit:50mm/16LEDs
 Input Voltage:DC24V
 Typ.Power:
 48W/M(2700K+6500K)@3M/roll
 28.8W/M(2700K+6500K)@4M/roll
 Typ.luminous flux:
 4000LM/M@RA80,2700K+6500K(4M/roll)
 6700LM/M@RA80,2700K+6500K(3M/roll)
 CCT: 2700K+6500K
 CRI: 80/90
 Other:Outer diameter 6mm,18# wire diameter, brown-blue-green 3PIN crystal wire

Cover



CV-CS5035D

Applicable product model:CS5035/CS5070/CE5035(suitable for down-lighting) Diffuser Nature: Diffuser Material process: Silica gel flexible/frosting Light transmittance:≥55% Size: 20000*47*4mm Other: Fire protection rating UL94-V2 ;

Controller



CR2-GBA

Product Name: CR2-GBA Input Voltage: 12-48V Output Current:8A*2CH,Max 16A Output Power:192W/384W@12V/24V , 384W/576W@36V/48V Dimming Mode: Two-color 2.4 remote control IP:IP20 Product Size:L175*W45*H27(mm)



K-1000C

Product Name: K-1000C Input voltage: 5-24V Control Pixel Points:Point Control 1CH*1024(SPI),Point Control 1CH*512(DMX) Dimming mode:DMX/SPI control IP:IP20Warranty: 5 years



K-8000C

Product Name: K-8000C Input Voltage: 5-24V Control Pixel Points:Point Control 8CH*1024(SPI),Point Control 8CH*512(DMX) Dimming mode:DMX/SPI control IP:IP20Warranty: 5 years

End cap accessory



EC-MS5070

Applicable product model: MS5070 Material process: aluminum/ powder spraying Size: L70*W50*H2.5mm Quantity:2PCS/ set

Installation accessory



CL-15

Applicable product model: CSXX70
 Installation method: ceiling
 Material process: /
 Size: KA3.5*50mm
 Quantity: 2PCS/ set



CP-54

Applicable product model: MS5035/MS5070/ME5035
 Applicable installation: Pendant/Ceiling/Recessed
 Material process: Stainless Steel
 Size: L37.87*W20*H5.4mm
 Quantity: 4PCS/SET



PB-09

Applicable product model: CS3535/CS5035/CS7035/CS3570/CS5070/CS7070
 Installation method: pendant(Power box with wire)
 Material process: SPCC/powder spraying
 Maximum weight capacity: 8Kg
 Size:
 Power Box: L400*W55*H50mm
 Wire: D3*2000mm
 Quantity: 1PCS/ set
 Note:
 1. Including 1PCS Power Box+1PCS input wire; Power supply not included.
 2. One power box holds one power supply
 3. Need to order separate clip(CP-XX) to use with it



PB-10

Applicable product model: CS3535/CS5035/CS7035/CS3570/CS5070/CS7070
 Installation method: pendant(Power box with rod)
 Material process: SPCC/powder spraying
 Size: Power Box: L400*W55*H50mm
 Rod: 1-2 meter adjustable
 Wire: D3*2000mm
 Quantity: 1PCS/ set
 Note:
 1. Including 1PCS Power Box+1PCS input wire+1PCS rod; Power supply not included.
 2. One power box holds one power supply
 3. Need to order separate clip(CP-XX) to use with it



PG-IXXX

Applicable product model: LS1911C/LS1911K/LS3535/LS5050/LS3360/LS4067/LS5470(F)/LS7977/LT60/BH3360/BH5470/BH7977/BS3360/BS5470/BS7977/LS60/S60/LS25/LH40FD/LH40FP/LH40G/LS40FD/LS40FP/LS40G/LS40GW/M20FD/M20G(A)/M20G/M20I/M20S/R25FD/R25FP/R25G/R25KD/R25L/R35I/R35S/RNR3OMJ/RNR3ONJ/RNR3ONK
 Installation method: pendant
 Material process: /
 Maximum weight capacity: 8KG
 Quantity: 2PCS/ set
 Other: Pendant rod (1-2m adjustable), include 2pcs pendant rods, 2 pcs rectangular screw



PN(E)-D

Applicable product model: LINE ECO series
 Installation method: Pendant
 Material process: Nickel plating
 Size: /
 Quantity: 2PCS/SET
 Other: 2 meter wire rope 2PCS, cable locker 2PCS, cable holder 2PCS, M5 flat head Phillips screws 2PCS, M4*35mm screws 2PCS, expansion tube 2PCS



PN-DXX

Applicable product model: LS1911C/LS1911K/LS3535/LS5050/LS3360/LS4067/LS5470(F)/LS7977/LT60/BH3360/BH5470/BH7977/BS3360/BS5470/BS7977/LS5470(F)/LS7977/LT60/LINE40 series product/LINE60 series product/TLS-R6X0 track
 Installation method: Pendant
 Material process: Pearl Chrome
 Size: /
 Quantity: 2PCS/ set
 Other: Junction box not included, 2 pcs pendant cable accessory, pendant cable length 4m, rectangular screw model.



PP-A

Applicable product model: CS3535/CS5035/CS7035/CS3570/CS5070/CS7070
 Installation method: pendant(Ceiling plate with wire)
 Material process: Fe/powder spraying
 Maximum weight capacity: 3Kg
 Size: Ceiling Plate: D88*29mm/Wire: D3*2000mm
 Open hole: D75mm
 Quantity: 1PCS/ set
 Note : 1. Including 1PCS Ceiling plate+2PCS spring s+1PCS input wire. 2. One ceiling plate holds one power supply. 3. Need to order separate clip(CP-XX) to use with it.



PP-G

Applicable product model: CS3535/CS5035/CS7035/CS3570/CS5070/CS7070
 Installation method: pendant(Ceiling plate with rod)
 Material process: Fe/powder spraying
 Maximum weight capacity: 3Kg
 Size: Ceiling Plate: D88*29mm/Rod: 1-2 meter adjustable/Wire: D3*2000mm
 Open hole: D75mm
 Quantity: 1PCS/ set
 Note : 1. Including 1PCS Ceiling plate+2PCS springs+1PCS input wire+1PCS rod. 2. One ceiling plate holds one power supply. 3. Need to order separate clip(CP-XX) to use with it.

CCT-Remote control



R7-1

Product Name: R7-1 Dual Color Remote
 Working Voltage : 3VDC (Battery CR2032)
 Operating Frequency: 2.4GHz
 Remote Control Distance: 30 meters
 Operating Temperature: -30°C~55°C
 Product Size: L107*W58.5*H9(mm)

Power Supply



BK-DEV200-24V0D
 Applicable product model: General
 Dimming mode: DALI2,PUSH-dimming,1-10V 3in1 dimming
 Size: 361*33.1*22.8mm
 Input voltage: AC200-240V
 Operating frequency: 50/60Hz
 PF value: ≥0.9
 Output voltage: DC24V
 Output current: ≤8.3A
 Power: 200W
 Efficiency: 0.92
 Certification: TUV, CE, RCM
 Case material: Metal housing



BK-DGVX-24V0D
 ProductName: BK-DGV036-24V0D/BK-DGV060-24V0D/BK-DGV100-24V0D
 Applicable product model: General
 Output power: 36W/60W/100W
 Output current: ≤1.5A/≤2.5A/≤4.2A
 Product size: 245.0*30.0*21.0mm/285.0*30.0*21.0mm/355.0*30.0*21.0mm
 Input voltage: AC200-240V
 Operating frequency: 50/60Hz
 Output voltage: DC24V
 PF value: ≥0.9
 Efficiency: ≥0.88
 IP: IP20
 Dimming mode: DALI-2,PUSH-Dimming,1-10V 3in1 Dimming
 Certification: CE, ENEC, UKCA, RCM, CCC, EL
 Material: Metal housing
 Warranty: 5 years



BK-MEV200-24V0M
 Applicable product model: General
 Dimming mode: 1-10V Dimming
 Size: 321.5*48*30mm
 Input voltage: AC200-240V
 Operating frequency: 50/60Hz
 PF value: ≥0.9
 Output voltage: DC24V
 Output current: ≤8.3A
 Power: 200W
 Efficiency: 0.93
 Certification: CE, ENEC, UKCA, RCM, CCC, EL
 Case material: Metal housing



BK-MGVX-24V0M
 ProductName: BK-MGV036-24V0M/BK-MGV060-24V0M/BK-MGV100-24V0M
 Applicable product model: General
 Output power: 36W/60W/100W
 Output current: ≤1.5A/≤2.5A/≤4.2A
 Product size: 245.0*30.0*21.0mm/285.0*30.0*21.0mm/355.0*30.0*21.0mm
 Input voltage: AC200-240V
 Operating frequency: 50/60Hz
 Output voltage: DC24V
 PF value: ≥0.9
 Efficiency: ≥0.89
 IP: IP20
 Dimming mode: 1-10V Dimming
 Certification: TUV, CE, ENEC, RCM
 Material: Metal housing
 Warranty: 5 years



LF-GHYXH24
 Applicable product model: General
 Dimming mode: Non-Dimming
 Size: 316*30.7*22.8mm / 361*33.1*22.8mm
 Input voltage: AC220-240V
 Operating frequency: 50/60Hz
 PF value: ≥0.9
 Output voltage: DC24V
 Output current: ≤4.25A / ≤10A
 Power: 100W / 240W
 Efficiency: 0.92
 Certification: ENEC, CE, CB, RCM, UKCA, MM, CCC
 Case material: Plastic

Packing

QTY/CTN	N. WT (ctn)	G.WT (ctn)	Size (cm/carton)	Product Size (mm)
8	24	26.4	245*21.5*15.5	2400*50*70mm